

# MICROWAVE OVEN INSTRUCTION MANUAL ML-EM42P(BS)



**TOSHIBA**

# CONTENTS

## PRODUCT SAFETY

---

IMPORTANT SAFETY INSTRUCTIONS.....	EN-2
------------------------------------	------

## PRODUCT INTRODUCTION

---

PRECAUTIONS TO AVOID POSSIBLE EXPOSURE TO EXCESSIVE MICROWAVE ENERGY .....	EN-5
TO REDUCE THE RISK OF INJURY TO PERSONS GROUNDING INSTALLATION.....	EN-6
MATERIALS YOU CAN USE IN MICROWAVE OVEN .....	EN-9
MATERIALS CAN NOT BE USED IN MICROWAVE OVEN .....	EN-10

## INSTRUCTION FOR USE


---

SETTING UP YOUR OVEN.....	EN-11
OPERATION.....	EN-15

## MAINTENANCE

---

TROUBLE SHOOTING.....	EN-27
-----------------------	-------

 <b>NOTE</b>	BEFORE OPERATING THIS PRODUCT, READ, UNDERSTAND, AND FOLLOW THESE INSTRUCTIONS. BE SURE TO SAVE THIS BOOKLIST FOR FUTURE REFERENCE
--	--



## **IMPORTANT SAFETY INSTRUCTIONS**

### **WARNING**

To reduce the risk of fire, electric shock, injury to persons or exposure to excessive microwave oven energy when using your appliance, follow basic precautions, including the following:

1. Read and follow the specific: "PRECAUTIONS TO AVOID POSSIBLE EXPOSURE TO EXCESSIVE MICROWAVE ENERGY".
2. This appliance is not intended for use by persons (including children) with reduced physical, sensory or mental capabilities, or lack of experience and knowledge, unless they have been given supervision or instruction concerning use of the appliance by a person responsible for their safety.
3. Children should be supervised to ensure that they do not play with the appliance.
4. If the supply cord is damaged, it must be replaced by the manufacturer, its service agent or similarly qualified persons in order to avoid a hazard.
5. **WARNING:** Ensure that the appliance is switched off before replacing the lamp to avoid the possibility of electric shock.
6. **WARNING:** It is hazardous for anyone other than a competent person to carry out any service or repair operation that involves the removal of a cover which gives protection against exposure to microwave energy.
7. **WARNING:** Liquids and other foods must not be heated



## SAFETY WARNING

## IMPORTANT SAFETY INSTRUCTIONS

- in sealed containers since they are liable to explode.
8. When heating food in plastic or paper containers, keep an eye on the oven due to the possibility of ignition.
  9. Only use utensils that are suitable for use in microwave ovens.
  10. If smoke is emitted, switch off or unplug the appliance and keep the door closed in order to stifle any flames.
  11. Microwave heating of beverages can result in delayed eruptive boiling, therefore care must be taken when handling the container.
  12. The contents of feeding bottles and baby food jars shall be stirred or shaken and the temperature checked before consumption, in order to avoid burns.
  13. Eggs in their shell and whole hard-boiled eggs should not be heated in microwave ovens since they may explode, even after microwave heating has ended.
  14. The oven should be cleaned regularly and any food deposits removed.
  15. Failure to maintain the oven in a clean condition could lead to deterioration of the surface that could adversely affect the life of the appliance and possibly result in a hazardous situation.
  16. The appliance must not be installed behind a decorative door in order to avoid overheating. (This is not applicable for appliances with decorative door.)
  17. Only use the temperature probe recommended for this oven. (for ovens provided with a facility to use a temperature-sensing probe.)





## **IMPORTANT SAFETY INSTRUCTIONS**

18. The microwave oven shall not be placed in a cabinet unless it has been tested in a cabinet.
19. The microwave oven must be operated with the decorative door open. (for ovens with a decorative door.)
20. This appliance is intended to be used in household and similar applications such as:
  - staff kitchen areas in shops, offices and other working environments;
  - by clients in hotels, motels and other residential type environments;
  - farm houses;
  - bed and breakfast type environments.
21. The microwave oven is intended for heating food and beverages. Drying of food or clothing and heating of warming pads, slippers, sponges, damp cloth and similar may lead to risk of injury, ignition or fire.
22. Metallic containers for food and beverages are not allowed during microwave cooking.
23. The appliance shall not be cleaned with a steam cleaner.
24. The appliance is intended to be used freestanding.
25. The rear surface of appliances shall be placed against a wall.

**READ CAREFULLY AND KEEP FOR FUTURE REFERENCE**

## **PRECAUTIONS TO AVOID POSSIBLE EXPOSURE TO EXCESSIVE MICROWAVE ENERGY**

---

- (a) Do not attempt to operate this oven with the door open since this can result in harmful exposure to microwave energy. It is important not to break or tamper with the safety interlocks.
- (b) Do not place any object between the oven front face and the door or allow soil or cleaner residue to accumulate on sealing surfaces.
- (c) **WARNING:** If the door or door seals are damaged, the oven must not be operated until it has been repaired by a competent person.

### **ADDENDUM**

If the apparatus is not maintained in a good state of cleanliness, its surface could be degraded and affect the lifespan of the apparatus and lead to a dangerous situation.

### **SPECIFICATIONS**

Model:	ML-EM42P(BS)
Rated Voltage:	230V~50Hz
Rated Input Power (Microwave):	1550W
Rated Output Power (Microwave):	1100W

## **TO REDUCE THE RISK OF INJURY TO PERSONS GROUNDING INSTALLATION**

---

### **DANGER**

Electric Shock Hazard

Touching some of the internal components can cause serious personal injury or death. Do not disassemble this appliance.

### **WARNING**

Electric Shock Hazard

Improper use of the grounding can result in electric shock. Do not plug into an outlet until appliance is properly installed and grounded.

This appliance must be grounded. In the event of an electrical short circuit, grounding reduces the risk of electric shock by providing an escape wire for the electric current.

This appliance is equipped with a cord having a grounding wire with a grounding plug. The plug must be plugged into an outlet that is properly installed and grounded.

Consult a qualified electrician or serviceman if the grounding instructions are not completely understood or if doubt exists as to whether the appliance is properly grounded.

If it is necessary to use an extension cord, use only a 3-wire extension cord.

1. A short power-supply cord is provided to reduce the risks resulting from becoming entangled in or tripping over a longer cord.
2. If a long cord set or extension cord is used:
  - a. The marked electrical rating of the cord set or extension cord should be at least as great as the electrical rating of the appliance.
  - b. The extension cord must be a grounding-type 3-wire cord.
  - c. The long cord should be arranged so that it will not drape over the counter top or tabletop where it can be pulled on by children or tripped over unintentionally.

## **CLEANING**

Be sure to unplug the appliance from the power supply.

1. Clean the cavity of the oven after using with a slightly damp cloth.
2. Clean the accessories in the usual way in soapy water.
3. The door frame and seal and neighbouring parts must be cleaned carefully with a damp cloth when they are dirty.
4. Do not use harsh abrasive cleaners or sharp metal scrapers to clean the oven door glass since they can scratch the surface, which may result in shattering of the glass.
5. Cleaning Tip---For easier cleaning of the cavity walls that the food cooked can touch: Place half a lemon in a bowl, add 300ml (1/2 pint) water and heat on 100% microwave power for 10 minutes. Wipe the oven clean using a soft, dry cloth.

## **UTENSILS**

---

### **CAUTION**

#### **Personal Injury Hazard**

It is hazardous for anyone other than a competent person to carry out any service or repair operation that involves the removal of a cover which gives protection against exposure to microwave energy.

See the instructions on "Materials you can use in microwave oven or to be avoided in microwave oven." There may be certain non-metallic utensils that are not safe to use for microwaving. If in doubt, you can test the utensil in question following the procedure below.

#### **Utensil Test:**

1. Fill a microwave-safe container with 1 cup of cold water (250ml) along with the utensil in question.
2. Cook on maximum power for 1 minute.
3. Carefully feel the utensil. If the empty utensil is warm, do not use it for microwave cooking.
4. Do not exceed 1 minute cooking time.

# MATERIALS YOU CAN USE IN MICROWAVE OVEN

UTENSILS	REMARKS
Browning dish	Follow manufacturer's instructions. The bottom of browning dish must be at least 3/16 inch (5mm) above the turntable. Incorrect usage may cause the turntable to break. ✓
Dinnerware	Microwave-safe only. Follow manufacturer's instructions. <b>Do not use cracked or chipped dishes.</b> ✓
Glass jars	Always remove lid. <b>Use only to heat food until just warm.</b> Most glass jars are not heat resistant and may break. ✓
Glassware	<b>Heat-resistant oven glassware only.</b> Make sure there is no metallic trim. <b>Do not use cracked or chipped dishes.</b> ✓
Oven cooking bags	Follow manufacturer's instructions. <b>Do not close with metal tie.</b> Make slits to allow steam to escape. ✓
Paper plates and cups	Use for <b>short-term cooking/warming only.</b> Do not leave oven unattended while cooking. ✓
Paper towels	Use to cover food for reheating and absorbing fat. Use with supervision for a <b>short-term cooking only.</b> ✓
Parchment paper	Use as a cover to prevent splattering or a wrap for steaming. ✓
Plastic	Microwave-safe only. Follow the manufacturer's instructions. Should be labeled "Microwave Safe". Some plastic containers soften, as the food inside gets hot. "Boiling bags" and tightly closed plastic bags should be slit, pierced or vented as directed by package. ✓
Plastic wrap	Microwave-safe only. Use to cover food during cooking to retain moisture. Do not allow plastic wrap to touch food. ✓
Thermometers	Microwave-safe only ( meat and candy thermometers). ✓
Wax paper	Use as a cover to prevent splattering and retain moisture. ✓

## **MATERIALS TO BE AVOIDED IN MICROWAVE OVEN**

<b>UTENSILS</b>	<b>REMARKS</b>	
Aluminum tray	May cause arcing. Transfer food into microwave-safe dish.	✗
Food carton with metal handle	May cause arcing. Transfer food into microwave-safe dish.	✗
Metal or metal-trimmed utensils	Metal shields the food from microwave energy. Metal trim may cause arcing.	✗
Metal twist ties	May cause arcing and could cause a fire in the oven.	✗
Paper bags	May cause a fire in the oven.	✗
Plastic foam	Plastic foam may melt or contaminate the liquid inside when exposed to high temperature.	✗
Wood	Wood will dry out when used in the microwave oven and may split or crack.	✗

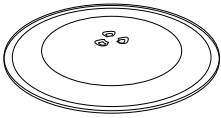
# SETTING UP YOUR OVEN

## Names of Oven Parts and Accessories

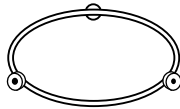
Remove the oven and all materials from the carton and oven cavity.

Your oven comes with the following accessories:

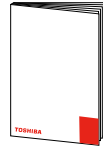
- This illustration is for reference only. Some accessories are available only with certain models, depending on the appliance model, individual details may differ.



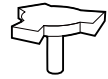
Glass Tray



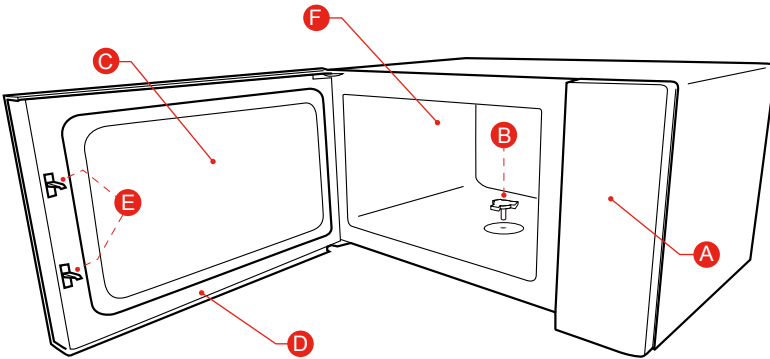
Turntable Ring Assembly



Instruction Manual



Turntable Shaft



A) Control panel

B) Turntable shaft

C) Observation window

D) Door assembly

E) Safety interlock system

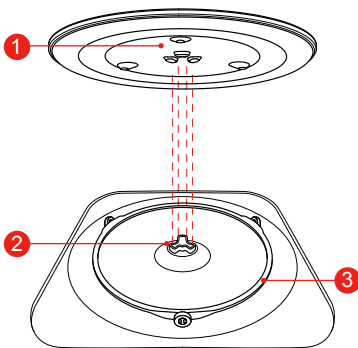
F) Oven cavity



## SETTING UP YOUR OVEN

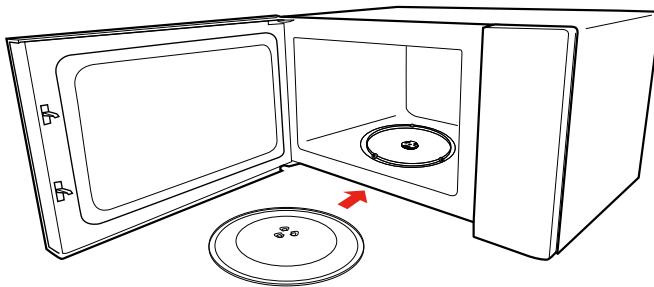
### Turntable Installation

Cleaning the cooking compartment and putting the turntable in place. For new installations, make sure all packaging and shipping tape has been removed from the turntable shaft. Before using the appliance to prepare food for the first time, you will need to put the turntable in place correctly. You must clean the cooking compartment and accessories.



How to put the turntable in place:

1. Place the turntable ring assembly ③ into the recess in the cooking compartment.
2. Place the glass tray ① on the turntable ring assembly ③. Fit the raised, curved lines in the center of the glass tray bottom between the three spokes of the shaft. Make sure that the glass tray ① engages in the turntable shaft ② in the centre of the cooking compartment floor. The rollers on the shaft should fit inside the turntable bottom ridge.



### Note:

1. Never use the appliance without the turntable. Make sure that it is properly engaged. The turntable can turn clockwise or anti-clockwise.
2. Never place the glass tray upside down. The glass tray should never be restricted.
3. Both glass tray and turntable ring assembly must always be used during cooking.
4. All food and containers of food are always placed on the glass tray for cooking.
5. Never restrict the movement of the turntable.
6. If glass tray or turntable ring assembly cracks or breaks, contact your nearest authorized service center.

# SETTING UP YOUR OVEN

## Countertop Installation

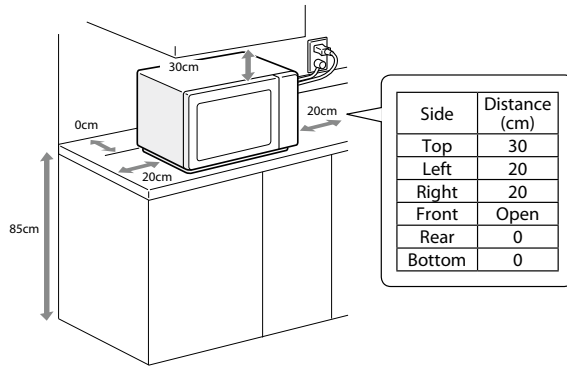
Remove all packing material and accessories. Examine the oven for any damage such as dents or broken door. Do not install if oven is damaged.

Cabinet: Remove any protective film found on the microwave oven cabinet surface. Do not remove the light brown Mica cover that is attached to the oven cavity to protect the magnetron.

---

## Installation

1. Select a level surface that provide enough open space for the intake and/or outlet vents.



- (1) The minimum installation height is 85cm.
- (2) The rear surface of appliance shall be placed against a wall. Leave a minimum clearance of 30cm above the oven, a minimum clearance of 20cm is required between the oven and any adjacent walls.
- (3) Do not remove the legs from the bottom of the oven.
- (4) Blocking the intake and/or outlet openings can damage the oven.
- (5) Place the oven as far away from radios and TV as possible. Operation of microwave oven may cause interference to your radio or TV reception.

## **SETTING UP YOUR OVEN**

---

2. Place the oven as far away from radios and television sets as possible. Operation of microwave oven may cause interference to your radio or TV reception.
3. Plug your oven into a standard household outlet. Be sure the voltage and the frequency is the same as the voltage and the frequency on the rating label.



**WARNING**

Do not install oven over a range cooktop or other heat-producing appliance. If the oven is installed near or over a heat source, it could be damaged and the warranty would be void. The oven is designed for bench-top use only and must not be placed in a cabinet.



The accessible surface may be hot during operation.

# OPERATION

---

## Customer care and service

Thank You For Making Our Appliances A Part Of Your Home.

We have created it to give you impeccable performance for many years, Read these instructions carefully. Only then will you be able to operate your appliance safely and correctly. Warning and Important Instructions appearing in this guide are not meant to cover all possible conditions and situations that may occur.

Common sense, caution and care must be exercised when installing, maintaining or operating a microwave. Always use original spare parts. Retain the instruction manual and installation instructions for future use or for subsequent owners.

## Control Panel And Features

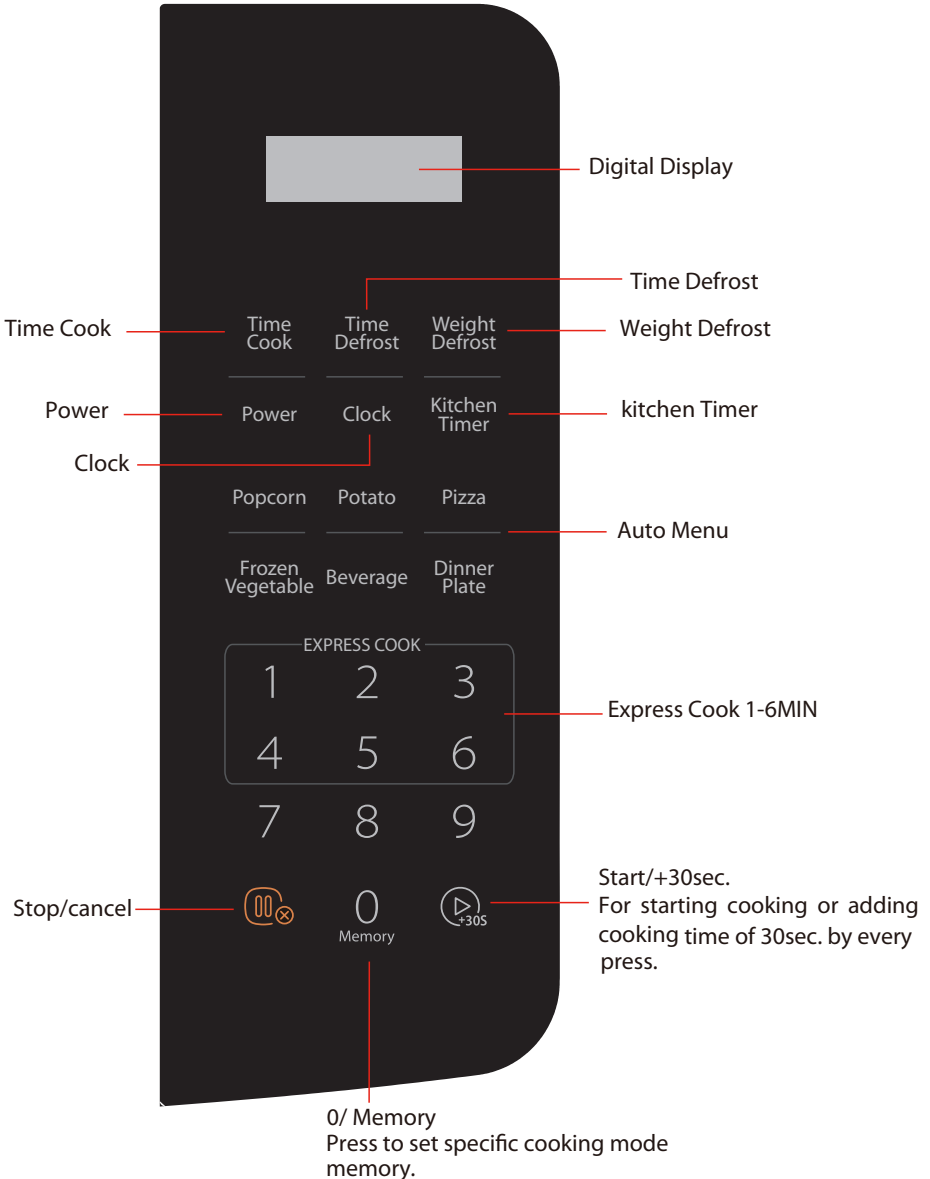
In this chapter, we will explain the displays and controls. You will also find out about the various functions of your appliance.

In the control panel, you can use the various buttons to set the required function of the appliance. The current settings are shown on the display window.

### NOTE

- Depending on the appliance model, your control panel may have differences in appearance. Individual details and colours may differ, but the words on the pads and functionality will be the same.

**OPERATION**



# OPERATION

This oven uses modern electronic control to adjust cooking parameters to meet your needs better for cooking.

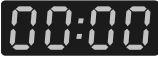

- Before operating your new microwave oven make sure you read and understand this use and care guide completely. The microwave oven is for food preparation only. ALWAYS have food in the microwave oven when it is on to absorb the microwave energy. Stay near the oven while it's in use and check cooking progress frequently so that there is no chance of overcooking food.

## Follow these procedures:

Plug in the oven. Close the door. The oven display will show **0:00**, Oven goes into standby mode.

### 1. Clock Setting

Suppose you want to enter the correct time of day 12min 30sec.

PROCEDURE	
Step	Touch / Display
1. Touch <b>Clock</b> . leftmost "0" flashing.	
2. Enter the correct time of day by touching the numbers in sequence. ①②③④ Input range: 1:00~12:59	
3. Touch <b>Clock</b> to confirm. A colon starts to blink.	Clock

## OPERATION

### NOTE

- This is a 12 hour clock.
- If you enter an incorrect clock time, simply touch **STOP/Cancel** and re-enter the correct time of day.
- To reset the clock, repeat step 1 through to step 3, as above. In the process of setting the figures, if you do not touch **Clock** to confirm within a minute, it will restore the clock and the clock setting will be invalid.
- Electrical power supply to your Microwave Oven should not be interrupted. If this occurs during cooking, the program will be erased. The time of day will also be erased.

## 2. STOP/Cancel

Touch the **STOP/Cancel** to:

1. Erase if you make a mistake during programming.
2. Cancel timer.
3. Stop the oven temporarily during cooking.
4. Return the time of day to the display.
5. Cancel a program during cooking, touch twice.



### NOTE

- In the process of setting, if the **STOP/Cancel** is touched or after a period of inactivity for 1 minute, the oven will revert to the former setting automatically.

## OPERATION

### 3. Kitchen Timer

To set the length of time for an operation. To set a countdown. It will automatically monitors how long the function operates.

- Suppose you want to set timer for 15 minutes.

#### PROCEDURE

Step

Touch / Display(display is for reference only)

1. Touch **Kitchen Timer** .  
00:00 starts to blink.



2. Enter the correct time of day by touching the numbers in sequence.  
①⑤①①



3. Confirm with **START/+30SEC.** .



#### NOTE

- Your microwave oven can not be programmed during the operation of kitchen timer.
- The kitchen timer with a maximum setting of 99 min and 99 sec. The kitchen timer is different from 12-hour system. Kitchen timer is countdown timer only and does not control or start any cooking modes.
- When the set time has elapsed, the unit will sound 5 times and the screen will return to standby. If the clock has been previously set, the current time will display.



## OPERATION

### 4. Microwave

Your appliance has various operating modes which make your appliance easier to use. You can find more precise descriptions of these in the "Heating Functions: Specials" sections. The microwave function is useful for steaming, as well as the quick and convenient defrosting and reheating of foods. Using lower power levels increases the cooking time which is recommended for foods such as cheese, milk and long slow cooking of meats. Eleven preset power levels are available for Microwave cooking.

Touch Power pad once then touch number	Approx. Percentage of power	Display	Use
0	0%	PL0	Venting
1	10%	PL1	Defrosting meat, fish Defrosting cheese, cream, butter Defrosting fruit and cakes Defrosting bread
2	20%	PL2	
3	30%	PL3	Continuing to cook meals Cooking delicate food Heating baby food Simmering rice Heating delicate food Melting cheese, chocolate, butter
4	40%	PL4	
5	50%	PL5	Defrosting and heating frozen meals Heating one-plate meals Simmering stews Cooking egg dishes
6	60%	PL6	
7	70%	PL7	Heating liquids Searing at the start of the cooking process Cooking vegetables
8	80%	PL8	
9	90%	PL9	
	100%(default)	PL10	

## OPERATION

- Suppose you want to cook with 80% microwave power for 15 minutes.

### PROCEDURE

Step	Touch / Display
------	-----------------

1. Touch **Time Cook**

2. Enter the correct time of day by touching the numbers in sequence.

Example: ①⑤①①

(up to 99 minutes 99 seconds)

3. Touch **Power** .

4. Select desired power level by touching **Power** repeatedly or touch numeric key.

Example: Touch number ⑧ for PL8.

5. Touch **START/+30SEC.** .



#### NOTE

- For many heating type, the appliance specifies a default temperature or level. You can accept this value or you can use the numeral keys to change it manually.
- After starting the operation, the timer countdown is highlighted. Cooking time may also be increased in 30 second increments by touching '**START/+30SEC.**' repeatedly. When you touch the '**START/+30SEC.**', the time is changed and adopted immediately.

## OPERATION

### NOTE

- To check and change the power level during cooking, touch the **Power** key. As long as your finger is touching the **Power**, the power level will be displayed. Now, to change the power level for cooking, touch the numeral keys until the display indicates the desired level. the power level is changed and adopted immediately. It will be cancelled, if you don't perform any operation for 1 minute.

### Beep sound

When a pad is touched correctly, a beep will be heard. If a pad is touched and no beep is heard, the unit has not or cannot accept the instruction. At the end of any complete programme, the oven will beep 5 times.

### The cooking time has elapsed

The cooking compartment stops heating. 0 min 00 s appears on the display ( Current time will display if the clock was previously set ). To remind you that the food is ready, the buzzer will beeps 5 times until you either open the oven door or touch the **STOP/Cancel** pad. When the oven operates, the cooling fan turns on automatically to keep the surfaces of the oven cool. After the cooking time has elapsed, the cooling fan can continue to operate until the oven cools down.

### 5. One touch start / Add time feature

In standby mode, the **START/+30SEC.** control instant switches on the microwave oven with maximum microwave power P100, and a duration of 30 second. Simply touching the **START/+30SEC.** repeatedly increases the duration in cooking.

If door is opened or **STOP/Cancel** is touched once during oven operation, **START/+30SEC.** must be touched again to restart oven.

In standby mode, you can touch numeric keys ①②③④⑤⑥ to directly start 100% microwave power for "1 minute", "2 minutes", "3 minutes", "4 minutes", "5 minutes" or "6 minutes". Touching the numeric keys ①②③④⑤⑥ repeatedly increases the duration in cooking. The cooking time may be extended to a maximum of 99 minutes 99 seconds.

### NOTE

- During Auto Menu, Weight Defrost, and the first section of Multi-stage cooking functions, lengthening the cooking time it's not available. Refer to related functional instructions for details.

## OPERATION

### 8. Defrost By Weight


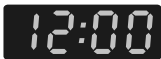
With this feature you can defrost food according to the weight. The weight is programmed in grams for weight defrost and auto menu. Do not include the weight of any added water or the weight of container.

- Suppose you want to defrost food for 200g.

PROCEDURE	
Step	Touch / Display
1. Touch <b>Weight Defrost</b> .	
2. Set the weight of the frozen food. ②①① Input range: 100~2000g	
3. Touch <b>START/+30SEC.</b> .	

### 9. Defrost By Time

- Suppose you want to defrost food for 12 minutes at PL3(default).

PROCEDURE	
Step	Touch / Display
1. Touch <b>Time Defrost</b> .	
2. Enter the correct time of day by touching the numbers in sequence. Example: ①②①① (up to 99 minutes 99 seconds)	

## OPERATION

Step	Touch / Display
------	-----------------

3. Touch **START/+30SEC.** .



### NOTE

- Time defrost can be programmed with more or less power adjustment. Touch the **Power** pad and then touch the numeral keys to switch power before touching **START/+30SEC.** .
- Power can not be adjusted during defrosting.

## 10. Auto menu

• Suppose you want to pop a 50g bag of popcorn.

PROCEDURE	
Step	Touch / Display

1. Touch desired programme pad (refer to the "Auto menu Chart" below.)



Set the desired serving or food weight by touching desired programme pad repeatedly.

Example: touch **Popcorn** pad once for 50g.

Touch **Popcorn** twice for 100g.

2. Touch **START/+30SEC.** .The time counts down in the display.



### Auto menu Chart

MENU	WEIGHT	DISPLAY	POWER
A-1 Popcorn	50g	50	Microwave 100%
	100g	100	
A-2 Potato	1 (approx. 230g)	1	Microwave 100%
	2 potatoes	2	
	3 potatoes	3	
A-3 Pizza	100g	100	Microwave 100%
	200g	200	
	400g	400	

## OPERATION

### Auto menu Chart

MENU	WEIGHT	DISPLAY	POWER
A-4 Frozen Vegetable	150g	150	Microwave 100%
	350g	350	
	500g	500	
A-5 Beverage	1 cup (120ml)	1	Microwave 100%
	2 cups (240ml)	2	
	3 cups (360ml)	3	
A-6 Dinner Plate	250g	250	Microwave 100%
	350g	350	
	500g	500	

### 11. Multi-stage cooking

Up to two stages of cooking can be set. In multi-stage cooking, the first stage may be microwave, grill, combination, and defrosting; if the defrosting program is set in the first stage, only microwave can be set in the second stage. If one of the multiple stages of cooking is defrosting, it is automatically performed in the first stage when cooking starts. The buzzer sounds after each stage of cooking, and the next stage starts automatically.

• Suppose you want to cook with 80% microwave power for 5 minutes + 60% microwave power for 10 minutes. Steps are as following:

- (1) In the standby mode, touch "**Time Cook**" once, then touch ⑤ ① ① to set the cooking time.
- (2) Touch "**Power**" once, then touch ⑧ to select 80% microwave power.
- (3) Touch "**Time Cook**", then touch ① ① ① ① to set the cooking time.
- (4) Touch "**Power**" once, then touch ⑥ to select 60% microwave power.
- (5) Touch "**START/+30SEC.**" to start cooking.

### 12. Memory function

- 1) In the standby mode, touch the numeric key "①" 1~3 times to select memory 1~3, and the screen displays "1"~"3".
- 2) If the cooking program has been set, touch the **START/+30SEC.** to recall the set memory program, or else the setting continues. Only one or two cooking programs can be set, and the setting method is the same as each cooking setting.

## OPERATION

- 3) After setting, touch the **START/+30SEC.** once to store the set cooking program, The corresponding memory number will be displayed and the buzzer will beep; if you touch the **START/+30SEC.** again, the set cooking program will run.
- Suppose you want to set a memory program with a microwave of 80% and a cooking time of 3 minutes and 20 seconds (set to memory 2)
    - (1) Touch the ① twice in the standby mode.
    - (2) Set the microwave to 80% and the cooking time to 3 minutes and 20 seconds.
    - (3) Touch the **START/+30SEC.** to save the current settings. After the buzzer sounds, the screen displays "2".
    - (4) If you touch the **START/+30SEC.** again after step 3 is set, the program immediately executes the set cooking program and saves the set program in memory 2.
    - (5) To run the saved memory program, touch the numeric key "①" twice in the standby mode. When the LED displays "2", touch the **START/+30SEC.** directly to execute the saved cooking program.

### 13. Inquiring Function

- (1) When oven is cooking, touch **Clock** for the time of day to appear for three seconds in the display.
- (2) When oven is cooking, touch **Power** pad for cooking power to appear for three seconds in the display.

#### NOTE

- During Auto Menu, Defrost, and the first section of Multi-stage cooking functions, Check the power it's not available.

### 14. Lock Function

To lock the microwave so that it cannot be operated by children or other unintended users, touch **STOP/Cancel** pad without releasing for 3 seconds. You will hear a long beep.

If the clock has been set, the time of day will appear in the display. Otherwise,

"" will appear.

To unlock, touch for three seconds, you will hear a long beep and

"" will disappear.

# TROUBLE SHOOTING

<b>Normal</b>	
Microwave oven interfering TV reception	Radio and TV reception may be interfered when microwave oven operating. It is similar to the interference of small electrical appliances, like mixer, vacuum cleaner, and electric fan. It is normal.
Dim oven light	In low power microwave cooking, oven light may become dim. It is normal.
Steam accumulating on door, hot air out of vents	In cooking, steam may come out of food. Most will get out from vents. But some may accumulate on cool place like oven door. It is normal.
Oven started accidentally with no food in.	It is forbidden to run the unit without any food inside. It is very dangerous.

<b>Trouble</b>	<b>Possible Cause</b>	<b>Remedy</b>
Oven cannot be started.	(1) Power cord is not plugged in tightly.	Unplug. Then plug again after 10 seconds.
	(2) Fuse blowing or circuit breaker works.	Replace fuse or reset circuit breaker (repaired by professional personnel of our company)
	(3) Trouble with outlet.	Test outlet with other electrical appliances.
Oven does not heat.	(4) Door is not closed well.	Close door well.



According to Waste of Electrical and Electronic Equipment (WEEE) directive, WEEE should be separately collected and treated. If at any time in future you need to dispose of this product please do NOT dispose of this product with household waste. Please send this product to WEEE collecting points where available.

PN:1617000A82156