

MICROWAVE OVEN INSTRUCTION MANUAL ML-EG42P(BS)



TOSHIBA

CONTENTS

PRODUCT SAFETY

SAFETY PRECAUTIONS	EN-2
--------------------------	------

PRODUCT INTRODUCTION

PRECAUTIONS MICROWAVE ENERGY	EN-5
GROUNDING INSTRUCTIONS	EN-6
MATERIALS YOU CAN USE IN MICROWAVE OVEN	EN-8
MATERIALS CAN NOT BE USED IN MICROWAVE OVEN	EN-9

INSTRUCTION FOR USE

SETTING UP YOUR OVEN	EN-10
OPERATION	EN-13

MAINTENANCE

TROUBLESHOOTING	EN-21
-----------------------	-------



BEFORE OPERATING THIS PRODUCT,
READ, UNDERSTAND, AND FOLLOW THESE INSTRUCTIONS.
BE SURE TO SAVE THIS BOOKLIST FOR FUTURE REFERENCE



SAFETY WARNING

IMPORTANT SAFETY INSTRUCTIONS

WARNING

To reduce the risk of fire, electric shock, injury to persons or exposure to excessive microwave oven energy when using your appliance, follow basic precautions, including the following:

1. Read and follow the specific:"PRECAUTIONS TO AVOID POSSIBLE EXPOSURE TO EXCESSIVE MICROWAVE ENERGY".
2. This appliance can be used by children aged from 8 years and above and persons with reduced physical, sensory or mental capabilities or lack of experience and knowledge if they have been given supervision or instruction concerning use of the appliance in a safe way and understand the hazards involved. Children shall not play with the appliance. Cleaning and user maintenance shall not be made by children unless they are older than 8 and supervised. Children less than 8 years of age shall be kept away unless continuously supervised.
3. Keep the appliance and its cord out of reach of children less than 8 years.
4. If the supply cord is damaged, it must be replaced by the manufacturer, its service agent or similarly qualified persons in order to avoid a hazard.(For appliance with type Y attachment)
5. WARNING: Ensure that the appliance is switched off before replacing the lamp to avoid the possibility of electric shock.
6. WARNING: It is hazardous for anyone other than a competent person to carry out any service or repair operation that involves the removal of a cover which gives protection against exposure to microwave energy.
7. WARNING: Liquids and other foods must not be heated in sealed containers since they are liable to explode.
8. When heating food in plastic or paper containers, keep an eye on the oven due to the possibility of ignition.
9. Only use utensils that are suitable for use in microwave ovens.
10. If smoke is emitted, switch off or unplug the appliance and keep the door closed in order to stifle any flames.
11. Microwave heating of beverages can result in delayed eruptive boiling, therefore care must be taken when handling the container.



SAFETY WARNING

IMPORTANT SAFETY INSTRUCTIONS

12. The contents of feeding bottles and baby food jars shall be stirred or shaken and the temperature checked before consumption, in order to avoid burns.
13. Eggs in their shell and whole hard-boiled eggs should not be heated in microwave ovens since they may explode, even after microwave heating has ended.
14. The oven should be cleaned regularly and any food deposits removed.
15. Failure to maintain the oven in a clean condition could lead to deterioration of the surface that could adversely affect the life of the appliance and possibly result in a hazardous situation.
16. The appliance must not be installed behind a decorative door in order to avoid overheating. (This is not applicable for appliances with decorative door.)
17. Only use the temperature probe recommended for this oven.(for ovens provided with a facility to use a temperature-sensing probe.)
18. The microwave oven shall not be placed in a cabinet unless it has been tested in a cabinet.
19. The microwave oven must be operated with the decorative door open. (for ovens with a decorative door.)
20. This appliance is intended to be used in household and similar applications such as:
 - staff kitchen areas in shops, offices and other working environments;
 - by clients in hotels, motels and other residential type environments;
 - farm houses;
 - bed and breakfast type environments.
21. The microwave oven is intended for heating food and beverages. Drying of food or clothing and heating of warming pads, slippers, sponges, damp cloth and similar may lead to risk of injury, ignition or fire.
22. Metallic containers for food and beverages are not allowed during microwave cooking.
23. The appliance shall not be cleaned with a steam cleaner.
24. The appliance is intended to be used freestanding.
25. The rear surface of appliances shall be placed against a wall.

**SAFETY WARNING****IMPORTANT SAFETY INSTRUCTIONS**

26. Steam cleaner is not to be used.
27. Surface of a storage drawer can get hot.
28. Do not use harsh abrasive cleaners or sharp metal scrapers to clean the oven door glass since they can scratch the surface, which may result in shattering of the glass.
29. **WARNING:** The appliance and its accessible parts become hot during use. Care should be taken to avoid touching heating elements. Children less than 8 years of age shall be kept away unless continuously supervised.
30. During use the appliance becomes hot. Care should be taken to avoid touching heating elements inside the oven.
31. **WARNING:** Accessible parts may become hot during use. Young children should be kept away.
32. **WARNING:** When the appliance is operated in the combination mode, children should only use the oven under adult supervision due to the temperatures generated.

READ CAREFULLY AND KEEP FOR FUTURE REFERENCE

PRECAUTIONS TO AVOID POSSIBLE EXPOSURE TO EXCESSIVE MICROWAVE ENERGY

- (a) Do not attempt to operate this oven with the door open since this can result in harmful exposure to microwave energy. It is important not to break or tamper with the safety interlocks.
- (b) Do not place any object between the oven front face and the door or allow soil or cleaner residue to accumulate on sealing surfaces.
- (c) **WARNING:** If the door or door seals are damaged, the oven must not be operated until it has been repaired by a competent person.

ADDENDUM

If the apparatus is not maintained in a good state of cleanliness, its surface could be degraded and affect the lifespan of the apparatus and lead to a dangerous situation.

Specifications

Model:	ML-EG42P(BS)
Rated Voltage:	220-240V~ 50Hz
Rated Input Power(Microwave):	1550W
Rated Output Power(Microwave):	1100W
Rated Input (Grill):	1200-1400W

TO REDUCE THE RISK OF INJURY TO PERSONS

GROUNDING INSTALLATION

DANGER

Electric Shock Hazard Touching some of the internal components can cause serious personal injury or death. Do not disassemble this appliance.

WARNING

Electric Shock Hazard Improper use of the grounding can result in electric shock. Do not plug into an outlet until appliance is properly installed and grounded.

This appliance must be grounded. In the event of an electrical short circuit, grounding reduces the risk of electric shock by providing an escape wire for the electric current.

This appliance is equipped with a cord having a grounding wire with a grounding plug.

The plug must be plugged into an outlet that is properly installed and grounded. Consult a qualified electrician or serviceman if the grounding instructions are not completely understood or if doubt exists as to whether the appliance is properly grounded.

If it is necessary to use an extension cord, use only a 3-wire extension cord.

1. A short power-supply cord is provided to reduce the risks resulting from becoming entangled in or tripping over a longer cord.
2. If a long cord set or extension cord is used:
 - The marked electrical rating of the cord set or extension cord should be at least as great as the electrical rating of the appliance.
 - The extension cord must be a grounding-type 3-wire cord.
 - The long cord should be arranged so that it will not drape over the counter top or tabletop where it can be pulled on by children or tripped over unintentionally.

CLEANING

Be sure to unplug the appliance from the power supply.

1. Clean the cavity of the oven after using with a slightly damp cloth.
2. Clean the accessories in the usual way in soapy water.
3. The door frame and seal and neighbouring parts must be cleaned carefully with a damp cloth when they are dirty.
4. Do not use harsh abrasive cleaners or sharp metal scrapers to clean the oven door glass since they can scratch the surface, which may result in shattering of the glass.
5. Cleaning Tip---For easier cleaning of the cavity walls that the food cooked can touch: Place half a lemon in a bowl, add 300ml (1/2 pint) water and heat on 100% microwave power for 10 minutes. Wipe the oven clean using a soft, dry cloth.

UTENSILS

CAUTION

Personal Injury Hazard

It is hazardous for anyone other than a competent person to carry out any service or repair operation that involves the removal of a cover which gives protection against exposure to microwave energy.

See the instructions on "Materials you can use in microwave oven or to be avoided in microwave oven."

There may be certain non-metallic utensils that are not safe to use for microwaving. If in doubt, you can test the utensil in question following the procedure below.

Utensil Test:

1. Fill a microwave-safe container with 1 cup of cold water (250ml) along with the utensil in question.
2. Cook on maximum power for 1 minute.
3. Carefully feel the utensil. If the empty utensil is warm, do not use it for microwave cooking.
4. Do not exceed 1 minute cooking time.

MATERIALS YOU CAN USE IN MICROWAVE OVEN

UTENSILS	REMARKS	
Browning dish	Follow manufacturer's instructions. The bottom of browning dish must be at least 3/16 inch (5mm) above the turntable. Incorrect usage may cause the turntable to break.	✓
Dinnerware	Microwave-safe only. Follow manufacturer's instructions. Do not use cracked or chipped dishes.	✓
Glass jars	Always remove lid. Use only to heat food until just warm. Most glass jars are not heat resistant and may break.	✓
Glassware	Heat-resistant oven glassware only. Make sure there is no metallic trim. Do not use cracked or chipped dishes.	✓
Oven cooking bags	Follow manufacturer's instructions. Do not close with metal tie. Make slits to allow steam to escape.	✓
Paper plates and cups	Use for short-term cooking/warming only. Do not leave oven unattended while cooking.	✓
Paper towels	Use to cover food for reheating and absorbing fat. Use with supervision for a short-term cooking only.	✓
Parchment paper	Use as a cover to prevent splattering or a wrap for steaming.	✓
Plastic	Microwave-safe only. Follow the manufacturer's instructions. Should be labeled "Microwave Safe". Some plastic containers soften, as the food inside gets hot. "Boiling bags" and tightly closed plastic bags should be slit, pierced or vented as directed by package.	✓
Plastic wrap	Microwave-safe only. Use to cover food during cooking to retain moisture. Do not allow plastic wrap to touch food.	✓
Thermometers	Microwave-safe only (meat and candy thermometers).	✓
Wax paper	Use as a cover to prevent splattering and retain moisture.	✓

MATERIALS TO BE AVOIDED IN MICROWAVE OVEN

UTENSILS	REMARKS	
Aluminum tray	May cause arcing. Transfer food into microwave-safe dish.	✗
Food carton with metal handle	May cause arcing. Transfer food into microwave-safe dish.	✗
Metal or metal-trimmed utensils	Metal shields the food from microwave energy. Metal trim may cause arcing.	✗
Metal twist ties	May cause arcing and could cause a fire in the oven.	✗
Paper bags	May cause a fire in the oven.	✗
Plastic foam	Plastic foam may melt or contaminate the liquid inside when exposed to high temperature.	✗
Wood	Wood will dry out when used in the microwave oven and may split or crack.	✗

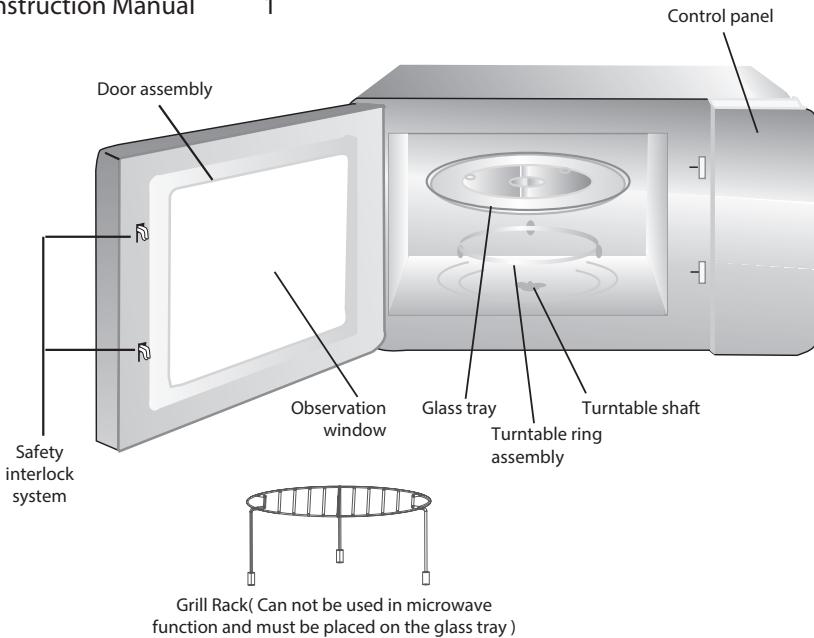
SETTING UP YOUR OVEN

Names of Oven Parts and Accessories

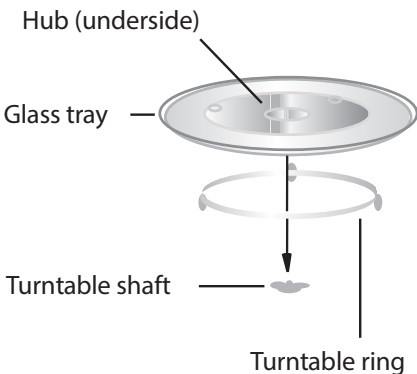
Remove the oven and all materials from the carton and oven cavity.

Your oven comes with the following accessories:

Glass tray	1
Turntable ring assembly	1
Instruction Manual	1



Turntable Installation



- Never place the glass tray upside down. The glass tray should never be restricted.
- Both glass tray and turntable ring assembly must always be used during cooking.
- All food and containers of food are always placed on the glass tray for cooking.
- If glass tray or turntable ring assembly cracks or breaks, contact your nearest authorized service center.

SETTING UP YOUR OVEN

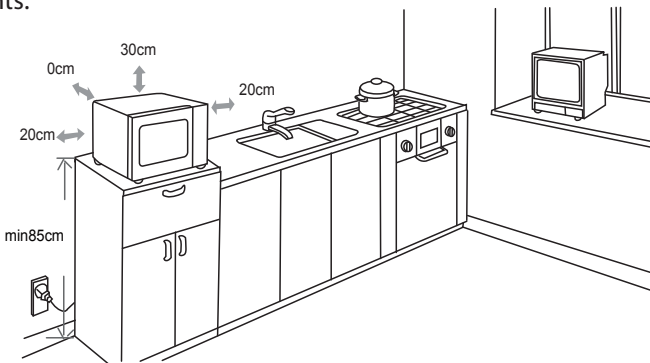
Countertop Installation

Remove all packing material and accessories. Examine the oven for any damage such as dents or broken door. Do not install if oven is damaged.

Cabinet: Remove any protective film found on the microwave oven cabinet surface. Do not remove the light brown Mica cover that is attached to the oven cavity to protect the magnetron.

INSTALLATION

1. Select a level surface that provide enough open space for the intake and/or outlet vents.



- a. The minimum installation height is 85cm.
- b. The rear surface of appliance shall be placed against a wall.
Leave a minimum clearance of 30cm above the oven, a minimum clearance of 20cm is required between the oven and any adjacent walls.
- c. Do not remove the legs from the bottom of the oven.
- d. Blocking the intake and/or outlet openings can damage the oven.
- e. Place the oven as far away from radios and TV as possible. Operation of microwave oven may cause interference to your radio or TV reception.

SETTING UP YOUR OVEN

2. Plug your oven into a standard household outlet. Be sure the voltage and the frequency is the same as the voltage and the frequency on the rating label.



Do not install oven over a range cooktop or other heat-producing appliance. If installed near or over a heat source, the oven could be damaged and the warranty would be void.



The accessible surface may be hot during operation.

OPERATION

CONTROL PANEL AND FEATURES



OPERATION

1. Clock Setting

When the microwave oven is electrified, the oven will display "0:00", buzzer will ring once.

The input time should be within 1:00--12:59(12 Hour).

- a. Press " Clock/Timer " once, the screen will show "00:00".
- b. Press the number buttons to set clock, if the input time not in 1:00~12:59, the button will not ring.
- c. Press " Clock/Timer " to finish clock setting. ":" will flash, and the time will light.

NOTE

- If the clock is not set, it would not function when powered.
- During the process of clock setting, if you press " STOP/Cancel ", the oven will go back to the previous status automatically.

2. Timer Function

- a. In the standby state, press the " Clock/Timer " key twice, and the LED will flash and display "00: 00" to prompt for the time.
- b. Press the number keys to enter the timing time, the LED moves to the right to display the setting time, the setting bit flashes and other bits are always on, with a maximum setting of 99 minutes and 99 seconds. It can be set cyclically. When 4 digits are entered, the first digit flashes.
- c. After the setting is completed, press the " START/+30Sec. " key to confirm the timing clock, and the LED countdown displays the set timing time.
- d. When the timing clock arrives, the buzzer will sound five times to return to the standby state. If the clock has been previously set (12-hour clock), the current time is displayed.
- d. During the operation of the alarm clock, opening the oven door or closing the oven door has no influence on the alarm clock, and the alarm clock continues to operate; Press " STOP/Cancel " key to cancel the alarm clock directly and return to the standby state.
 - When the first digit of the digital tube is "0" in the running state, it will not be displayed.
 - Timer cannot query the clock during operation.

OPERATION

3. Microwave Cooking

- Press " Time Cook " once, the screen will display " 00:00 ".
- Press the number buttons to set the time. (the maximum setting of 99 minutes and 99 seconds.)
- Press " Power " once, the screen will display " PL10 ", press the number buttons to select 0-10 power. If you direct " START/+30Sec. ", the power is " PL10 ".
- Press " START/+30Sec. " to start cooking, the screen will display cook time.

NOTE

- Press " STOP/Cancel " or no operation within 1 minute, it will come back the ready mode when you setting the cook time.
- Press the " Power " amend the power when you microwave cooking. Press " Power " and press the number buttons to amend power after 3 seconds for the light, the screen will flashing display 3 seconds, the cooking time will change to power.

It have 11 file power

	PL10	PL9	PL8	PL7	PL6	PL5	PL4	PL3	PL2	PL1	PL0
Power	100%	90%	80%	70%	60%	50%	40%	30%	20%	10%	0%

4. Grill Cooking

- Press " Grill/Combo " once, the oven will display " G-1 " and grill icon will light. Press the number buttons to set the time.
- Press " START/+30Sec. " to start cooking.

NOTE

- In order to have a better effect of grilling food, you should press the " STOP/Cancel " turn the food over, close the door, and then press " START/+30Sec. " to continue cooking.
- It will not display the icon when you checking the power.

Display	Microwave Power	Grill Power
G-1	0%	100%
C-1	55%	45%
C-2	36%	64%

OPERATION

5. Combination Cooking (Microwave + Grill)

- Press the " Grill/Combo" many times, the oven will display " G-1 ", " C-1 ", " C-2 ", and the microwave & grill icon will light at the same time.
- Press the number buttons to set the time
- Press the " START/+30Sec. " to start cooking.

NOTE

- In order to have a better effect of grilling food, you should press the " STOP/Cancel " turn the food over, close the door, and then press " START/+30Sec. " to continue cooking. If no operation, the oven will continue working.
- It will not display the icon when you checking the power.

6. Speedy Cooking

- When the oven is in the waiting state, press " START/+30Sec. " key to start cooking with full microwave power for 30 seconds.(the maximum setting is 99 minutes and 99 seconds)
- When the oven is in the microwave or time defrost states, press " START/+30Sec. " key to add 30 seconds cooking time. But weight defrost or auto menu states can't.

When the door is closed and in the waiting state, pressing the number key "1" to "6" can start 100% microwave cooking for 1 to 6 minutes.

7. Defrost By weight

- Press " W.T/Time Defrost " once, the oven will display "dEF1".
- Press the number buttons to input the figure of the weight of food. (The input figure of the weight should be within 100--2000g)
- Press the " START/+30Sec. " key to start defrosting.

8. Defrost By time

- Press " W.T/Time Defrost " twice, the oven will display "dEF2".
- Press the number buttons to set the defrost time.
(The maximum cooking time is 99 minutes and 99 seconds.)
- Press " Power " and the number buttons to set the power.
- Press the " START/+30Sec. " key to start defrosting.

OPERATION

NOTE

- In the cooking or press defrost time, can follow the microwave change the power. (The default power is PL3 in the defrost time.)

9. Memory

- a. Press " Memory " to choose memory 1-3 procedure. The screen will display 1,2,3.
- b. If the procedure has been set, press " START/+30Sec. " to use it. If not, continue to set the procedure. Only one or two stages can be set.
- c. After finishing the setting, press " START/+30Sec. " to save the procedure and turn back to the waiting state. If press " START/+30Sec. " again, the set cooking program will be run.


NOTE

- if the electricity is cut off, the procedure that has been saved will be cancelled.
- Auto menu can not be set as memory procedure.

10. Query Function

- a. Press the " Clock/Timer ", the screen will display the time 3 seconds in cooking.
- b. Press " Power " to check the microwave power in cooking, the screen will display the microwave power 3 seconds, after will turn back to display the cooking countdown. (Automatic cooking and deforsting can't check the microwave power.)
- c. Press the " Grill/Combo " to check the function in the Grill or combination function, it will display the function 3 seconds, but not display the power icon.

11. Lock Function for Children

- a. Lock: In waiting state, press " STOP/Cancel " 3 seconds, buzzer will ring once, the oven will enter the children-lock state, and will display "  ".
- b. In children-lock state, press " STOP/Cancel " 3 seconds, buzzer will ring once and the oven will quits the children-lock state.

OPERATION

12. Multi-stage cooking function

In standby mode, two cooking periods can be set at most. In multi-stage cooking, the first section can be microwave, grill, combination, time defrost or weight defrost, if the first section has set the defrosting, then the second section can not set the defrosting, only microwave. If one part of the multi-stage cooking is defrosting, then at the beginning of the cooking, defrosting is automatically executed as the first part. At the end of each cooking session, the buzzer sounds and automatically starts the next cooking session.

NOTE

- Automated cooking menu can not be used as a part of multi-stage cooking.
- When microwave cooking is the second stage of multi-stage cooking, the cooking time can only be selected by pressing the time cook key.
- When setting two different cooking sections, the first section can not press the start button to increase the time, and the second section can press the button to increase the time (the same fire can increase the time in the first section).

13. Auto Menu

- a. Press the corresponding auto menu key repeatedly until the number you wish appears in the display.
- b. Press " START/+30Sec. " to cook. When cooking finishes, buzzer sounds five times and then turn back to waiting state.
- c. If you choose the Meat menu, press " Meat " for times, "CHIC", "bEEF", "PO" will display in order. Press " START/+30Sec. " to confirm the menu. Then press " Meat " for times to select the desired amount. Press " START/+30Sec. " to cook.

OPERATION

Auto menu Chart

Menu		Weight	Display
Popcorn		50g	50
		100g	100
Potato		1 potato (230g)	1
		2 potatos	2
		3 potatos	3
Frozen Pizza		100g	100
		200g	200
		400g	400
Frozen Vegetable		150g	150
		350g	350
		500g	500
Beverage		1 cup (120ml)	1
		2 cups (240ml)	2
		3 cups (360ml)	3
Dinner Plate		250g	250
		350g	350
		500g	500
Meat	Chicken	400g	400
		600g	600
		800g	800
		1000g	1000
		1200g	1200
	Beef	300g	300
		500g	500
		700g	700
		900g	900
		1100g	1100
	Pork	150g	150
		300g	300
		450g	450
		600g	600
		750g	750

OPERATION

14. Quitly Function

Press the number key "8" for 3 seconds, there will be a "beep", the oven will open or close the quitly function.

NOTE The function will be reserved after power loss.

15. Off screen Function

In standby state, press the stop/Cancel button for 2 consecutive times enter the screen closing function.

NOTE The function can be awakened by open the door or pressing any key.

16. Turntable reset function

When cooking finished, if the turntable is not at the initial position, it will enter the turntable reset function. At this time, the lamp, fan and turntable are working, " [: :] " will dynamic display. After the turntable has reset, the oven stops cooking and reminds cooking is finished.

- a. This function only works for one completed cooking. If pause or open the oven door during cooking, the current cooking cannot enter the turntable reset function.
- b. In waiting state, press number key "5" for 3 seconds, there will be a long "beep" and the turntable reset function is turned off. To turn on the turntable reset function, in waiting state press number key "5" for 3 seconds, there will be a long "beep" denoting that turntable reset function is released.

NOTE

- Under the reset state, opening the door or " STOP/Cancel " button is pressed, the oven will go back to waiting state.
- The function will be reserved after power loss.

TROUBLE SHOOTING

Normal	
Microwave oven interfering TV reception	Radio and TV reception may be interfered when microwave oven operating. It is similar to the interference of small electrical appliances, like mixer, vacuum cleaner, and electric fan. It is normal.
Dim oven light	In low power microwave cooking, oven light may become dim. It is normal.
Steam accumulating on door, hot air out of vents	In cooking, steam may come out of food. Most will get out from vents. But some may accumulate on cool place like oven door. It is normal.
Oven started accidentally with no food in.	It is forbidden to run the unit without any food inside. It is very dangerous.

Trouble	Possible Cause	Remedy
Oven can not be started.	(1) Power cord not plugged in tightly.	Unplug. Then plug again after 10 seconds.
	(2) Fuse blowing or circuit breaker works.	Replace fuse or reset circuit breaker (repaired by professional personnel of our company)
	(3) Trouble with outlet.	Test outlet with other electrical appliances.
Oven does not heat.	(4) Door not closed well.	Close door well.



According to Waste of Electrical and Electronic Equipment (WEEE) directive, WEEE should be separately collected and treated. If at any time in future you need to dispose of this product please do NOT dispose of this product with household waste. Please send this product to WEEE collecting points where available.

