

# 使用手冊

電熱水壺  
KT-17DRTHK(H)

**TOSHIBA**



# 目錄

頁次

安全指南	1
零件名稱與操作說明書	4
使用方法	5

## 安全指南

**為安全及減少受傷或觸電的風險，請遵守下列各項安全措施。**

- 水壺仍處於較熱狀態時請勿觸摸壺體。在使用時應握好把手。
- 使用時應確保蓋子為關閉狀態。如未蓋好蓋子，恆溫器將無法自動關閉，水壺內的水將燒乾。
- 水壺應遠離發熱表面以及可能受熱損壞的物體。
- 確保在使用水壺時周圍留有至少20cm距離的空間，以確保蒸氣能夠安全釋放。切勿在碗櫃或架子下使用水壺，以免蒸氣損壞其它物品表面。
- 當水沸騰時或自動關閉後，避免與壺嘴噴出的蒸氣接觸。
- 水壺仍處於較熱狀態時，打開壺蓋加水時應小心。
- 禁止將水壺浸入水中。
- 水壺仍與底座連接時，切勿向壺中加水或倒水。
- 在裝水或清空水壺之前，或在清洗水壺的任何部件之前，以及在水壺不使用的時候，須斷開水壺電源。
- 不要將電源線浸入水中或其他液體中。
- 禁止液體接觸壺身接頭、電源底座接頭或電源線的帶電體。
- 禁止電源線接觸加熱工作表面，也不可接觸熱表面、熱源或火源。

## 安全指南

- 如果本產品的任何部分損壞或出現任何故障，或電源線、電源插頭損壞，請勿繼續使用。應尋求專業人員的幫助。
- 8歲及以上兒童，身體感觀或心智慧力較弱或缺乏經驗和知識的人員，必須在接受安全使用本產品的方法的監督或指導，並瞭解所涉及的危險後方可使用本產品。兒童不得將本產品作為玩具玩耍。兒童超過8歲及在成人監督下方可清潔和維護本產品。
- 應將本產品及其電源線放置在8歲以下兒童接觸不到的地方。



**警告：在本產品使用期間，某些可接觸表面可能很燙。**

### 注意事項：

- 插頭插入電源時，請勿將電源底座置於金屬托盤或金屬表面。
- 本產品僅供室內使用。禁止在戶外使用。
- 本水壺和電源底座為配套使用設備。禁止在本產品的電源底座上使用其他水壺，也不要將本產品的水壺用於其他水壺的電源底座。
- 應始終確保開/關按鍵處無障礙物，易於操作且影響其關閉。

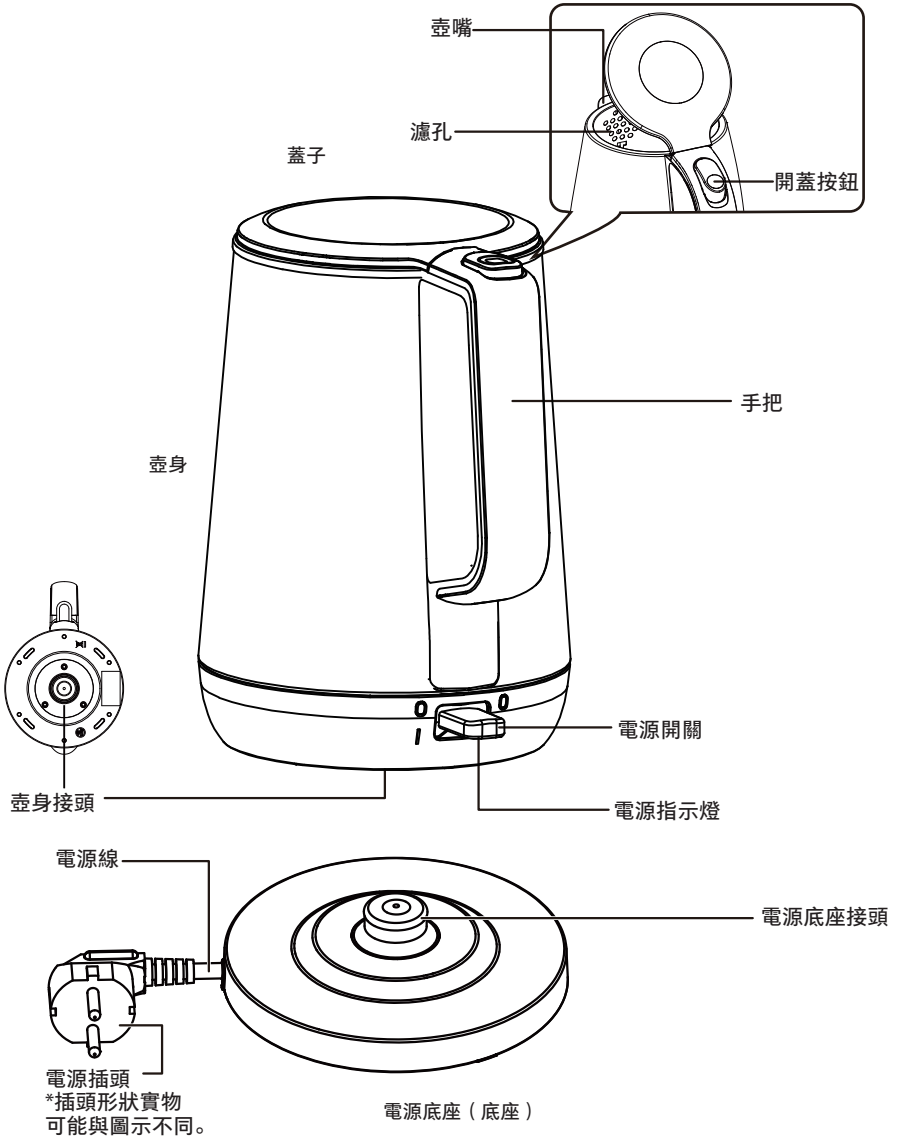


## 安全指南

- 本產品供家居及類似環境使用，如：
  - 店鋪內的員工廚房區域、辦公室及其他工作環境；
  - 農舍；
  - 供客戶於酒店、汽車旅館及其他住宅類型環境；
  - 床及早餐類型環境。
- 如果電源線損壞，必須使用售後服務中心或製造商提供的專用電源線。
- 如果加入太多水到電熱水壺中，可能會冒出滾水。

**警告：誤用可能導致潛在傷害。**

# 零件名稱與操作說明書



## 使用方法

### 初次使用

小心取出水壺和其他配件。保留包裝以便後期安全運輸本產品。如需處理包裝，請按照您所在地區的回收要求進行處理。

**使用電熱水壺前：**請檢查電熱水壺下方或底座上的額定電壓是否與電源電壓相匹配。請閱讀本用戶手冊的所有說明，並仔細閱讀安全須知。

### 使用

把水壺從底座拿起。確保牆上的電源插座尚未接通電源。將電源線從底座的凹槽中取出。將水壺底座置於穩固的水平面上，並將電源線連接到牆上的插座上。可將多餘的電源線小心放入底部的存儲區安全存儲。確保存儲於底部的電源線在存儲區邊緣內，否則水壺底座將不平穩。

倒掉之前煮過的水。

按下壺蓋開關將蓋子打開。

重新將壺內裝滿水。水位刻度上標記有最小（MIN）和最大（MAX）水位刻度。壺內的水須始終超過最低水位（0.5升）刻度。切勿將壺內的水加至最高水位（1.7升）刻度以上，否則沸水。可能會溢出。蓋上壺蓋，將盛滿水的水壺放在電源底座上。

### 使用水壺煮水

將牆上插座的電源打開。

水壺的開/關按鍵位於把手下方。按下開關啟動水壺。

## 使用方法

電源指示燈亮起，顯示水壺為使用狀態。當水達到指定溫度時，電源指示燈將自動關閉。

燒水過程中，可將電源開關往上撥，來隨時停止燒水。如需重新燒水，再把電源開關往下撥即可。壺內的水若處於高溫狀態將無法正常使用電源開關。

在燒水時應確保壺蓋緊閉，切勿在水壺沸騰時打開壺蓋，以防燙傷。若壺蓋在燒水時未正確蓋好，自動斷路器將無法工作，水壺可能燒乾並因過多蒸氣造成損壞。

煮沸後，關閉電器的電源。現在可以安全地將水壺從底座上拿起並倒出開水。請小心及緩慢地倒開水，請勿快速側傾水壺。

禁止將裝有開水的水壺放置於無人看管的區域。使用完畢後，應將水壺放回底座。

### **初次使用前或長期存放後首次使用時：**

重新將壺內裝滿水。將水煮沸後將煮好的開水倒掉。重複上述操作兩至三次後方可使用。

## 使用方法

### 自動斷路燒水開關

在燒開水時請勿按壓電源開關，否則蒸氣會從壺蓋上噴出，並損壞自動開關裝置。應始終確保開/關按鍵處無障礙物，易於操作，且無障礙物影響其關閉。

### 乾燒保護當

水壺在無水狀態下加熱時，產品的雙重防乾燒保護功能將自動停止加熱，防止水壺損壞；當出現上述情況時，請將電源插頭從插座中拔出，待電水壺自然冷卻後（約10分鐘）才能正常使用。請勿直接使用冷水來冷卻，以免降低發熱系統的使用壽命。

### 過熱保護

在嚴重過熱的情況下，水壺將自動關閉以防止進一步損壞。若發生上述情況，請將本產品交給合資格/本公司維修人員檢查和修理。

### 清潔

- ▶ 為了延長水壺的使用壽命，請定期清洗水壺內的礦物沉澱。
- ▶ 在清洗前，須將插頭從插座上拔下，並等待水壺冷卻後方可清洗。
- ▶ 切勿使用化學清潔劑、鋼絲球或擦洗劑清洗水壺的內外表面，因為上述方法會刮傷水壺的內外表面並使外表面褪色。

## 使用方法

### 清潔方法

1. 壺中倒入0.5升白醋並在剩餘空間加水,靜置1個多小時;
2. 將水壺內的溶液倒出。用濕布擦掉剩餘的沉澱物;
3. 將水壺裝滿清水,水滾後把水倒掉。重複此步驟後即可使用;
4. 如有需要,可重複上述操作數次;
5. 水壺表面可用濕布擦拭後再用乾軟布擦拭;

### 存儲

可將多餘的電源線存放於入底座的存儲空間。不使用時,應將水壺放在底座上,並放置在兒童和寵物無法觸及的位置。

產品型號	額定電壓	額定功率	容量	水壺淨重
KT-17DRTHK(H)	220-240V~ 50/60Hz	1800-2150W	1.7升	1.23公斤

**此電器必須接地。**

**在使用時,須時刻留意本產品。**



**#DetailsMatter**



# USER MANUAL

ELECTRIC KETTLE  
KT-17DRTHK(H)

**TOSHIBA**



# CONTENTS

	PAGE
SAFETY GUIDE	1
ABOUT YOUR KETTLE	4
USING YOUR KETTLE	5

## SAFETY GUIDE

**Please follow all the safety precautions listed below for safety and to reduce the risk of injury or electrical shock.**

- Do not touch the body of the kettle when it is hot. Always hold the appliance by the handle when using it.
- Always ensure the lid is closed when in use. Failure to close the lid will prevent the thermostat from switching off and cause the kettle to boil dry.
- Keep the appliance well away from hot surfaces, and objects that can be damaged by heat.
- Ensure there is at least 20 cm space left to operate the kettle and that steam can escape safely. Never use the kettle under a cupboard or shelf where the steam may damage the surface.
- Avoid contact with the steam from the spout when the water is boiling or just after it has switched off.
- Be careful when opening the lid for re-filling when the kettle is hot.
- Ensure that the kettle cannot fall into water.
- Do not fill or pour water from the kettle while it is on the base.
- Disconnect the kettle at the mains supply before filling or emptying the jug, before cleaning any of its components, and when it is not in use.
- Do not immerse the connecting cord in water or other liquids.
- Do not allow liquids to come into contact with the body connector of the kettle, its base or the connecting cord.
- Do not let the connecting cord overhang the edge of the work surface or allow it to touch hot surfaces or sources of heat or flame.

## SAFETY GUIDE

- If any part of this appliance is damaged or malfunctions in any way, or the connecting cord or mains plug is broken, do not continue to use it. Seek expert assistance.
- "This appliance can only be used by children aged from 8 years and above and persons with reduced physical sensory or mental capabilities or lack of experience and knowledge if they have been given supervision or instruction concerning use of the appliance in a safe way and understand the hazards involved. Children shall not play with the appliance. Cleaning and user maintenance shall not be made by children unless they are older than 8 and supervised .
- Keep the appliance and its cord out of reach fo children less than 8 years.



**WARNING: Some accessible surfaces may be hot during operation of this appliance**

### CAUTIONS

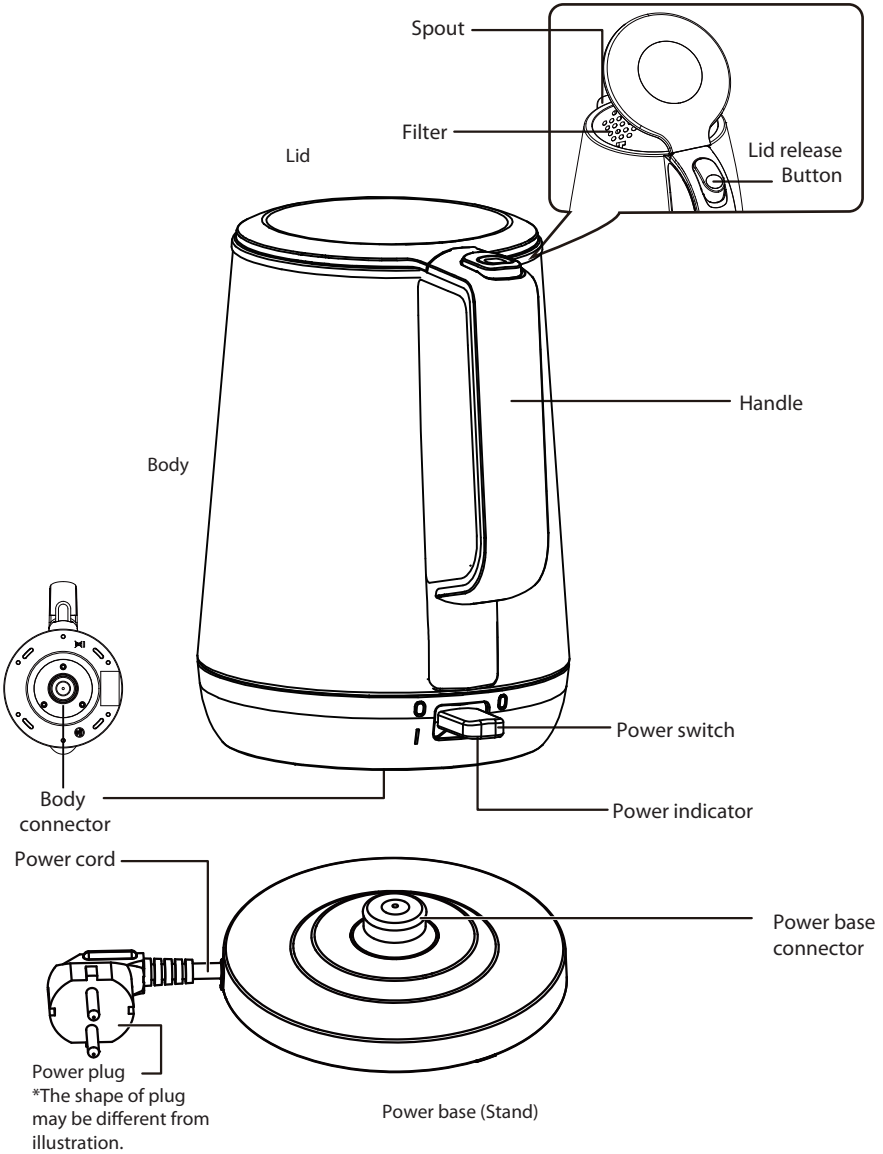
- Do not place the power base unit on a metal tray or metal surface when plugged into any power source.
- This appliance is for indoor domestic use only. Do not use it at outdoors.
- This kettle jug and power base form an integral appliance. Do not use other kettle jugs with this power base, or this kettle jug with other bases.
- The switch on this appliance must be readily operable at any times. Do not hinder its operation by incorrect placement or by placing obstacles that may restrict its free movement.

## SAFETY GUIDE

- This appliance is intended to be used in household and similar applications such as:
  - Staff kitchen areas in shops, office and other working environments;
  - farm houses;
  - by clients in hotels, motels and other residential type environments;
  - In bed and breakfast type environments.
- If the supply cord is damaged, it must be replaced by the manufacturer, its service agent or similarly qualified persons in order to avoid a hazard.
- If the kettle is overfilled, boiling water may be ejected.

**Warning: Misuse may cause potential injury.**

# ABOUT YOUR KETTLE



## USING YOUR KETTLE

### PRELIMINARIES

Unpack your kettle and any accessories carefully. Retain the packaging so that you can transport the appliance safely. If you dispose of it please do so with regard to any recycling regulations in your area.

**Before using your kettle:** Check that the voltage marked on the rating plate under the kettle or the base matches your mains voltage. Please read all the instructions in this User Guide with particular reference to the safety notes.

### OPERATION

Separate the kettle from the base. Ensure that the mains socket is switched off at the wall. Lead the power cord out through the recess in the base. Place the kettle base on a stable level surface and connect the power cord to the wall socket. Excess cord may be safely stowed by feeding it carefully into the stowage compartment in the base. Ensure the power cable exits the cut out slot otherwise the kettle base will not be stable.

Pour away previously boiled water.

Push the lid release button to lift up the lid.

Fill the kettle with fresh water. The MIN and MAX marks are located on the water scale . The water level must always cover the MIN (0.5 litres) mark . Do NOT fill the kettle above the MAX mark (1.7 litres) , or boiling water may be ejected. Close the lid. Place the filled kettle correctly on the power base.

### Boiling the Kettle

Switch on the power at the wall socket.

The kettle ON/OFF switch is located below the handle. Press the switch down to switch the kettle on.

## USING YOUR KETTLE

The power switch will illuminate showing the kettle is in operation. When the water has reached the correct temperature, the power switch will switch off.

You can stop the boiling at any time by lifting the switch up. To re-boil, press the switch again. If the water is very hot, it may be necessary to wait until the switch resets.

Always ensure the lid is tightly fitted and never lift it while the kettle is boiling or you run the risk of scalding. If the lid is not correctly fitted while boiling, the automatic cut-out will not operate, you may boil the kettle dry and cause damage due to excessive steam emissions.

After boiling, switch off the appliance at the mains. The kettle now could be safely removed from its base and pour out the boiled water. Always pour boiling water slowly and carefully without tipping the kettle too quickly.

Never leave hot water in the kettle while it is unattended.

After use, replace the kettle on its base.

### **Before first use or after storage:**

Fill the kettle with fresh water. Boil the water. Pour away the boiled water. Repeat this two or three times. The kettle is now ready for use.



## USING YOUR KETTLE

### **Boil Switch with Auto Shut-Out**

When boiling water, do NOT hold the switch down or steam will be ejected from the lid and you may damage the automatic shut off mechanism. Always ensure that the ON/OFF switch is clear of obstructions, readily operable and is not prevented from switching off.

### **Boil Dry Protection**

Your kettle is fitted with a safety device which switches it off if the appliance is operated with insufficient water. If this occurs, the kettle should be switched off at the mains and allowed to cool thoroughly before refilling with cold water. The safety device will then reset.

### **Overheating Shut -Off**

In the status of gross overheating, your kettle will automatically shut down status to prevent further damage.

Should this occur, take it to a qualified service person for examination and repair.

## **CLEANING**

- To prolong the kettle's lifespan , please clean the mineral deposits in the kettle regularly.
- Always unplug from the plug socket and allow to cool down before cleaning.
- Do not use chemical, steel wool, or abrasive cleaners to clean the outside of the kettle, as these will scratch the surface and fade the outside color.

## USING YOUR KETTLE

Cleaning methods:

1. Fill the kettle with 0.5L white vinegar and the remainder with water and allow to stand for over 1 hour;
2. Empty the solution from the kettle. Wipe off the deposits remained with damp Cloth;
3. Fill the kettle with clean water, bring to boil and then discard the water. Repeat and the kettle will be ready to use;
4. If necessary, repeat the operations above for several times;
5. The surface of the kettle may be wiped over with a damp cloth and polished with a soft dry cloth.

### STORAGE

Excess cord can be stowed by feeding the cord into the storage cavity in the base of the unit. When the kettle is not in use, it should be stored on its base and out of the reach of children and pets.

Model No.	Rated voltage	Rated power	Capacity	Weight
KT-17DRTHK(H)	220-240V~ 50/60Hz	1800-2150W	1.7L	1.23kg

**THIS APPLIANCE MUST BE EARTHED**

**THIS APPLIANCE MUST BE ATTENDED AT ALL TIMES WHEN IN OPERATION**



**#DetailsMatter**