

# 用戶 手冊

電熱水壺  
KT-15DRTHK(H)

**TOSHIBA**



# 目錄

目錄	01
安全說明	02
規格	05
產品概述	06
操作說明	07
清潔和保養	09
故障排除	10

# 安全說明

為安全及減少受傷或觸電的風險，請遵守下列各項安全措施。

- 水壺仍處於較熱狀態時請勿觸摸壺體。在使用時應握好把手。
- 使用時應確保蓋子為關閉狀態。如未蓋好蓋子，恆溫器將無法自動關閉，水壺內的水將燒乾。
- 水壺應遠離發熱表面以及可能受熱損壞的物體。
- 確保在使用水壺時周圍留有至少20cm距離的空間，以確保蒸氣能夠安全釋放。切勿在碗櫃或架子下使用水壺，以免蒸氣損壞其它物品表面。
- 當水沸騰時或自動關閉後，避免與壺嘴噴出的蒸氣接觸。
- 水壺仍處於較熱狀態時，打開壺蓋加水時應小心。
- 禁止將水壺浸入水中。
- 水壺仍與底座連接時，切勿向壺中加水或倒水。
- 在裝水或清空水壺之前，或在清洗水壺的任何部件之前，以及在水壺不使用的時候，須斷開水壺電源。
- 不要將電源線浸入水中或其他液體中。
- 禁止液體接觸壺身接頭、電源底座接頭或電源線的帶電體。
- 禁止電源線接觸加熱工作表面，也不可接觸熱表面、熱源或火源。

# 安全說明

- 如果本產品的任何部分損壞或出現任何故障，或電源線、電源插頭損壞，請勿繼續使用。應尋求專業人員的幫助。
- 8歲及以上兒童，身體感觀或心智慧力較弱或缺乏經驗和知識的人員，必須在接受安全使用本產品的方法的監督或指導，並瞭解所涉及的危險後方可使用本產品。兒童不得將本產品作為玩具玩耍。兒童超過8歲及在成人監督下方可清潔和維護本產品。
- 應將本產品及其電源線放置在8歲以下兒童接觸不到的地方。



警告：在本產品使用期間，某些可接觸表面可能很燙。

## 注意事項：

- 插頭插入電源時，請勿將電源底座置於金屬托盤或金屬表面。
- 本產品僅供室內使用。禁止在戶外使用。
- 本水壺和電源底座為配套使用設備。禁止在本產品的電源底座上使用其他水壺，也不要將本產品的水壺用於其他水壺的電源底座。
- 應始終確保開 / 關按鍵處無障礙物，易於操作且影響其關閉。



# 安全說明

- 本產品供家居及類似環境使用，如：
  - 店鋪內的員工廚房區域、辦公室及其他工作環境;
  - 農舍；
  - 供客戶於酒店、汽車旅館及其他住宅類型環境;
  - 床及早餐類型環境。
- 如果電源線損壞，必須使用售後服務中心或製造商提供的專用電源線。
- 如果加入太多水到電熱水壺中，可能會冒出滾水。

**警告：誤用可能導致潛在傷害。**

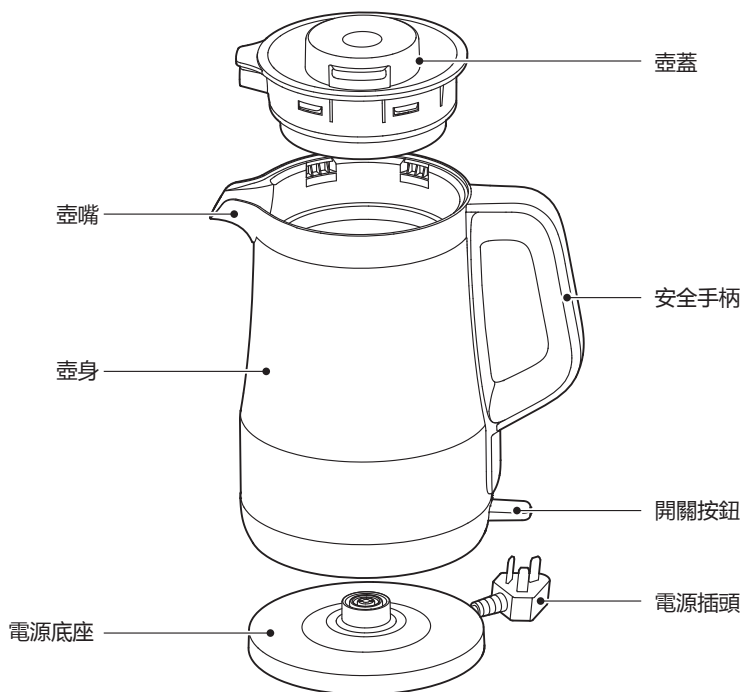
# 規格

型號	KT-15DRTHK(H)
容量	1.5升
額定電壓	220V~
額定頻率	50/60Hz
額定電壓	1500W

# 產品概覽

## 部件名稱

由於每個產品的外觀有所不同，下圖僅供參考。請以包裝盒內的實際產品為準。



### ● 注意

上圖僅供參考，具體以包裝盒內實物為準。

# 操作說明

## 使用說明

- 1、倒水後或燒水前請重置出水口鎖按鈕。
- 2、使用時加水請勿超過最高水位線標記。
- 3、燒水過程中，請注意壺嘴是否燙手；特別是在水燒開後操作開蓋按鈕時，請等到壺嘴不再冒蒸氣後再操作。
- 4、電源指示燈亮起，顯示水壺為使用狀態。當水達到指定溫度時，電源指示燈將自動關閉。
- 5、燒水過程中，可將電源開關往上撥，來隨時停止燒水。如需重新燒水，再把電源開關往下撥即可。
- 6、壺內的水若處於高溫狀態將無法正常使用電源開關。在燒水時應確保壺蓋緊閉，切勿在水壺沸騰時打開壺蓋，以防燙傷。若壺蓋在燒水時未正確蓋好，自動斷路器將無法工作，水壺可能燒乾並因過多蒸氣造成損壞。
- 7、使用完畢後，應將水壺放回底座。
- 8、初次使用前或長期存放後首次使用時；重新將壺內裝滿水。將水煮沸後將煮好的開水倒掉。重複上述操作兩至三次後方可使用。

### 自動斷路燒水開關

在燒開水時請勿按壓電源開關，否則蒸氣會從壺蓋上噴出，並損壞自動開關裝置。應始終確保開/關按鍵處無障礙物，易於操作，且無障礙物影響其關閉。

### 乾燒保護當

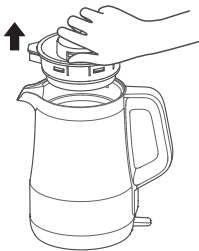
水壺在無水狀態下加熱時，產品的雙重防乾燒保護功能將自動停止加熱，防止水壺損壞；當出現上述情況時，請將電源插頭從插座中拔出，待電水壺自然冷卻後（約10分鐘）才能正常使用。請勿直接使用冷水來冷卻，以免降低發熱系統的使用壽命。

### 過熱保護

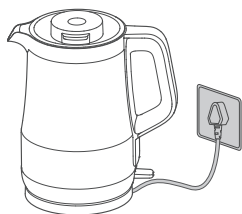
在嚴重過熱的情況下，水壺將自動關閉以防止進一步損壞。若發生上述情況，請將本產品交給合資格/本公司維修人員檢查和修理。

### 使用說明

- 1、打開蓋子，如下圖所示。
- 2、將水加入水壺並蓋上壺蓋。注意不要超過最高水位。



- 3、將水壺放在電源底座上，打開電源。
- 4、按下開關按鈕，加熱指示燈亮，水壺開始加熱。



## 倒水

- 1、按下出水口鎖定按鈕，解鎖出水口。
- 2、然後就可以倒水飲用了。



- 3、倒完水後，再次按下鎖定按鈕，鎖定出水按鈕。

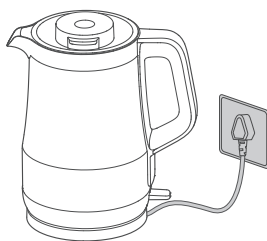
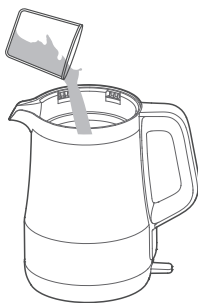


# 清潔和維護

- 為了延長水壺的使用壽命，請定期清洗水壺內的礦物沉澱。
- 在清洗前，須將插頭從插座上拔下，並等待水壺冷卻後方可清洗。
- 切勿使用化學清潔劑、鋼絲球或擦洗劑清洗水壺的內外表面，因為上述方法會刮傷水壺的內外表面並使外表面褪色。

## 清潔方法

- 1、斷開電源，向水壺中添加除垢劑和水。
- 2、打開電源，將除垢液煮沸。



- 3、將除垢溶液靜置一段時間後將其丟棄。
- 4、用清水沖洗內側並用乾淨的軟布擦乾。



## 存儲

可將多餘的電源線存放於底座上的存儲空間。不使用時，應將水壺放在底座上，並放置在兒童和寵物無法觸及的位置。

# 故障排除

產品發生故障時，將其送至維修中心之前請先檢查以下情況進行確認。

故障	可能原因	解決方法
燈不亮	• 電源插頭未正確插入	插入電源插頭。若指示燈仍不亮，請將其送至當地售後服務中心
	• 燈線鬆動	
	• 燈線損壞	
未能加熱	• 開關按鈕沒有按到位	根據操作說明按下開關按鈕。若仍未能加熱，請將其送至當地售後服務中心
	• 加熱管損壞	
	• 溫控器損壞	
	• 保險絲損壞	
水沸騰時不會跳掣	• 壺蓋未正確關閉	正確關閉壺蓋
	• 水壺故障	送至當地售後服務中心
水沸騰前跳掣 (過早跳掣)	• 水壺底部水垢過多	清除水垢
	• 水壺故障	送至當地售後服務中心

**#DetailsMatter**



# USER MANUAL

**ELECTRIC KETTLE**  
KT-15DRTHK(H)

**TOSHIBA**



# CONTENTS

<b>CONTENTS</b>	01
<b>SAFETY INSTRUCTIONS</b>	02
<b>SPECIFICATIONS</b>	05
<b>PRODUCT OVERVIEW</b>	06
<b>OPERATION INSTRUCTIONS</b>	07
<b>CLEANING AND MAINTENANCE</b>	09
<b>TROUBLESHOOTING</b>	10

# SAFETY GUIDE

**Please follow all the safety precautions listed below for safety and to reduce the risk of injury or electrical shock.**

- Do not touch the body of the kettle when it is hot. Always hold the appliance by the handle when using it.
- Always ensure the lid is closed when in use. Failure to close the lid will prevent the thermostat from switching off and cause the kettle to boil dry.
- Keep the appliance well away from hot surfaces, and objects that can be damaged by heat.
- Ensure there is at least 20 cm space left to operate the kettle and that steam can escape safely. Never use the kettle under a cupboard or shelf where the steam may damage the surface.
- Avoid contact with the steam from the spout when the water is boiling or just after it has switched off.
- Be careful when opening the lid for re-filling when the kettle is hot.
- Ensure that the kettle cannot fall into water.
- Do not fill or pour water from the kettle while it is on the base.
- Disconnect the kettle at the mains supply before filling or emptying the jug, before cleaning any of its components, and when it is not in use.
- Do not immerse the connecting cord in water or other liquids.
- Do not allow liquids to come into contact with the body connector of the kettle, its base or the connecting cord.
- Do not let the connecting cord overhang the edge of the work surface or allow it to touch hot surfaces or sources of heat or flame.

# SAFETY GUIDE

- If any part of this appliance is damaged or malfunctions in any way, or the connecting cord or mains plug is broken, do not continue to use it. Seek expert assistance.
- "This appliance can only be used by children aged from 8 years and above and persons with reduced physical sensory or mental capabilities or lack of experience and knowledge if they have been given supervision or instruction concerning use of the appliance in a safe way and understand the hazards involved. Children shall not play with the appliance. Cleaning and user maintenance shall not be made by children unless they are older than 8 and supervised .
- Keep the appliance and its cord out of reach fo children less than 8 years.



**WARNING: Some accessible surfaces may be hot during operation of this appliance**

## CAUTIONS

- Do not place the power base unit on a metal tray or metal surface when plugged into any power source.
- This appliance is for indoor domestic use only. Do not use it at outdoors.
- This kettle jug and power base form an integral appliance. Do not use other kettle jugs with this power base, or this kettle jug with other bases.
- The switch on this appliance must be readily operable at any times. Do not hinder its operation by incorrect placement or by placing obstacles that may restrict its free movement.

# SAFETY GUIDE

- This appliance is intended to be used in household and similar applications such as:
  - Staff kitchen areas in shops, office and other working environments;
  - farm houses;
  - by clients in hotels, motels and other residential type environments;
  - In bed and breakfast type environments.
- If the supply cord is damaged, it must be replaced by the manufacturer, its service agent or similarly qualified persons in order to avoid a hazard.
- If the kettle is overfilled, boiling water may be ejected.

**Warning: Misuse may cause potential injury.**

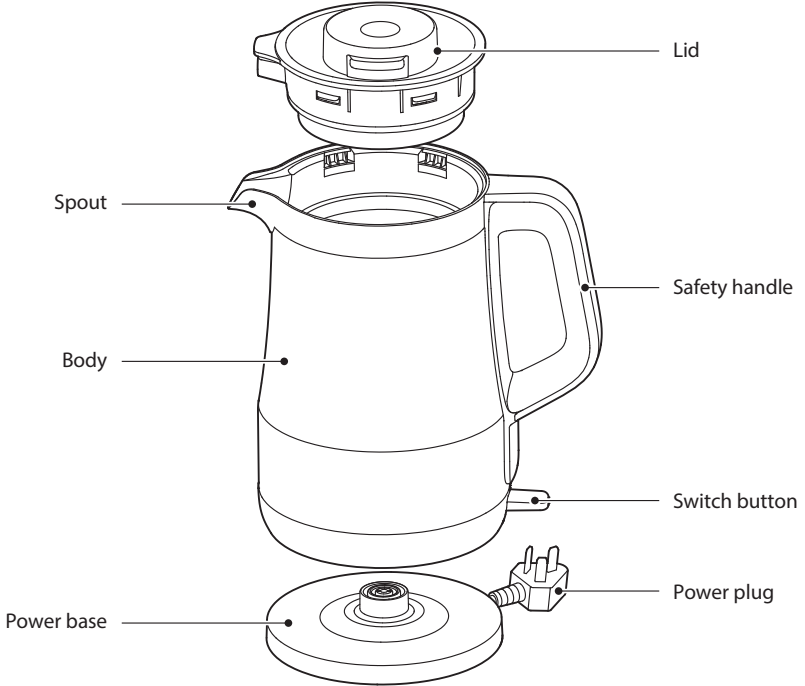
# SPECIFICATIONS

<b>Model</b>	<b>KT-15DRTHK(H)</b>
Capacity	1.5L
Rated voltage	220V~
Rated frequency	50/60Hz
Rated power	1500W

# PRODUCT OVERVIEW

## Name of Each Part

Since the appearance of each product is different, the picture below is for reference only. Please refer to the actual product in the packaging box.



### NOTE

The figure below is for reference only, and the details are subject to the actual objects in the packaging box.

# OPERATION INSTRUCTIONS

## Instructions for Use

1. Please reset the water outlet lock button after pouring water or before boiling water.
2. Do not add water beyond the maximum water level mark during use.
3. During the process of boiling water, please note that the spout is hot; especially when operating the lid opening button after the water is boiled, wait until steam stops coming out of the spout before operating.
4. The power switch will illuminate showing the kettle is in operation. When the water has reached the correct temperature, the power switch will switch off.
5. You can stop the boiling at any time by lifting the switch up. To re-boil, press the switch again.
6. If the water is very hot, it may be necessary to wait until the switch resets. Always ensure the lid is tightly fitted and never lift it while the kettle is boiling or you run the risk of scalding. If the lid is not correctly fitted while boiling, the automatic cut-out will not operate, you may boil the kettle dry and cause damage due to excessive steam emissions.
7. After use, replace the kettle on its base.
8. Before first use or after storage: Fill the kettle with fresh water. Boil the water. Pour away the boiled water. Repeat this two or three times. The kettle is now ready for use.

### Boil Switch with Auto Shut-Out

When boiling water, do NOT hold the switch down or steam will be ejected from the lid and you may damage the automatic shut off mechanism. Always ensure that the ON/OFF switch is clear of obstructions, readily operable and is not prevented from switching off.

### Boil Dry Protection

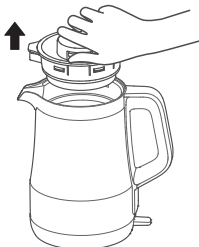
Your kettle is fitted with a safety device which switches it off if the appliance is operated with insufficient water. If this occurs, the kettle should be switched off at the mains and allowed to cool thoroughly before refilling with cold water. The safety device will then reset.

### Overheating Shut -Off

In the status of gross overheating, your kettle will automatically shut down status to prevent further damage. Should this occur, take it to a qualified service person for examination and repair

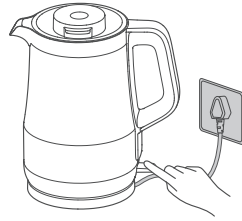
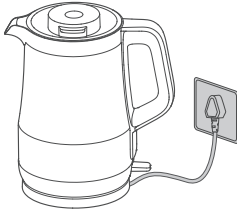
## Instructions for Use

1. Open the lid as shown in the picture below.
2. Add water to the kettle and close the lid. Be careful not to exceed the maximum water level.





3. Place the kettle on the power base and turn on the power.
4. Press the switch button, the heating indicator light will light up and the kettle will start heating.



## Pouring Operation

1. Press the water outlet lock button to unlock the water outlet.
2. Then, you can pour out water for drinking.



3. After pouring water, press the lock button again to lock the water outlet button.

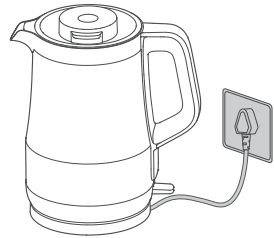
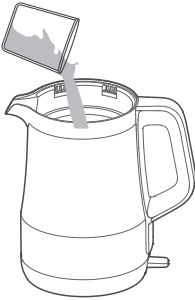


# CLEANING AND MAINTENANCE

- To prolong the kettle's lifespan, please clean the mineral deposits in the kettle regularly.
- Always unplug from the plug socket and allow to cool down before cleaning.
- Do not use chemical, steel wool, or abrasive cleaners to clean the outside of the kettle, as these will scratch the surface and fade the outside color.

## Cleaning methods:

1. Disconnect the power supply and add descaling agent and water to the kettle.
2. Turn on the power and boil the descaling solution.



3. Discard the descaling solution after letting it sit for a while.
4. Rinse the inner side with clean water and dry with a clean soft cloth.



## STORAGE

Excess cord can be stowed by feeding the cord into the storage cavity in the base of the unit. When the kettle is not in use, it should be stored on its base and out of the reach of children and pets.

# TROUBLESHOOTING

When you think the product is faulty, please check the following conditions for confirmation before sending it to a service center.

Fault	Possible reason	Solution
Light does not turn on	<ul style="list-style-type: none"> <li>• The power plug is not plugged in properly</li> </ul>	Plug in the power plug. If the indicator light still does not turn on, please send it to a local after-sales service center
	<ul style="list-style-type: none"> <li>• Light cord is loose</li> </ul>	
	<ul style="list-style-type: none"> <li>• Light cord is broken</li> </ul>	
No heating	<ul style="list-style-type: none"> <li>• The switch button is not pressed in place</li> </ul>	Press the switch button according to the operating instructions. If it still does not heat, please send it to a local after-sales service center
	<ul style="list-style-type: none"> <li>• Heating tube is broken</li> </ul>	
	<ul style="list-style-type: none"> <li>• Thermostat is broken</li> </ul>	
	<ul style="list-style-type: none"> <li>• Fuse is broken</li> </ul>	
No tripping when water is boiling	<ul style="list-style-type: none"> <li>• The lid is not closed properly</li> </ul>	Close the lid properly
	<ul style="list-style-type: none"> <li>• Kettle malfunction</li> </ul>	Send to local after-sales service center
Tripped before water is boiling (early tripping)	<ul style="list-style-type: none"> <li>• Too much scale on the bottom of the kettle</li> </ul>	Clear the scale
	<ul style="list-style-type: none"> <li>• Kettle malfunction</li> </ul>	Send to local after-sales service center

**#DetailsMatter**